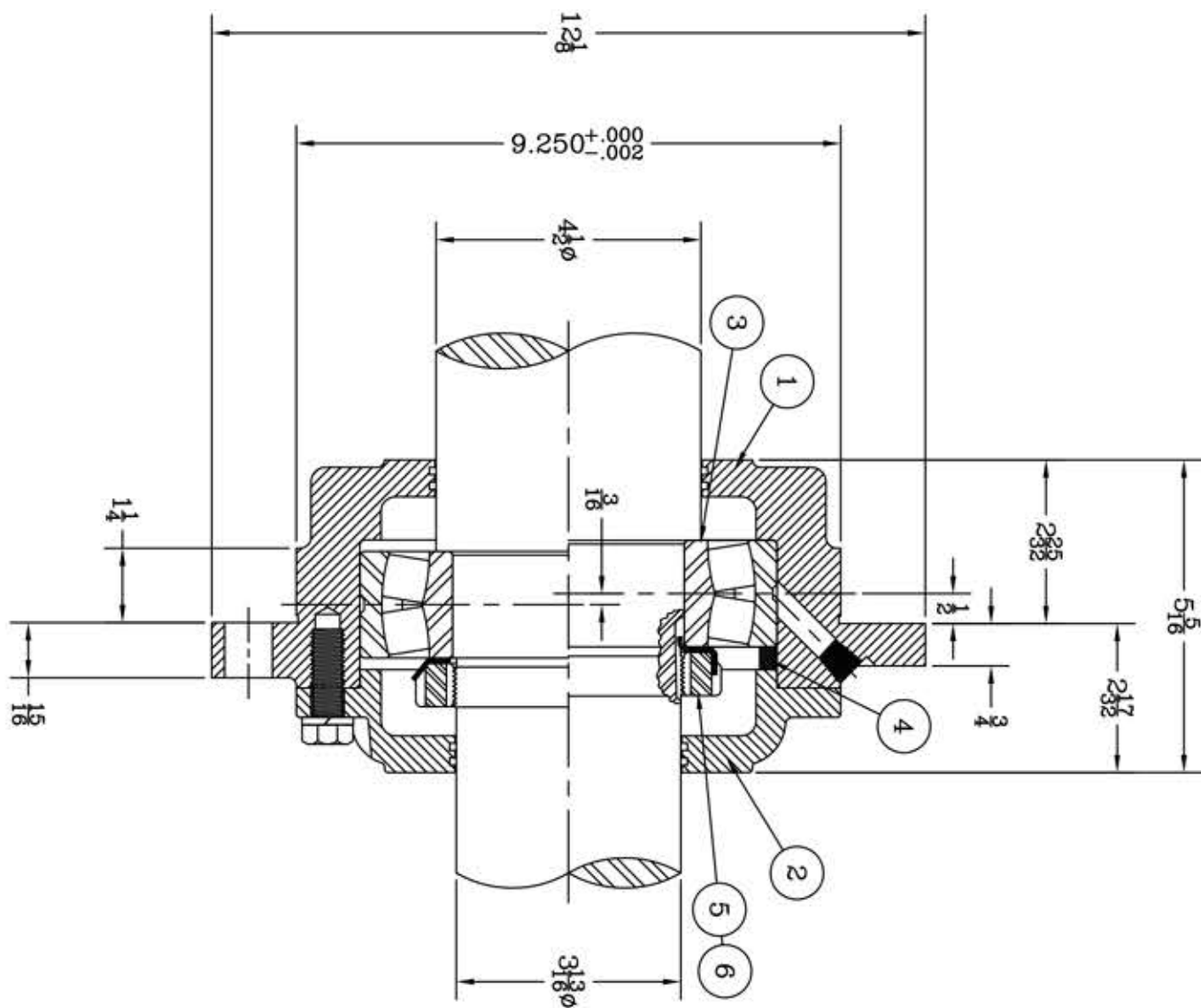
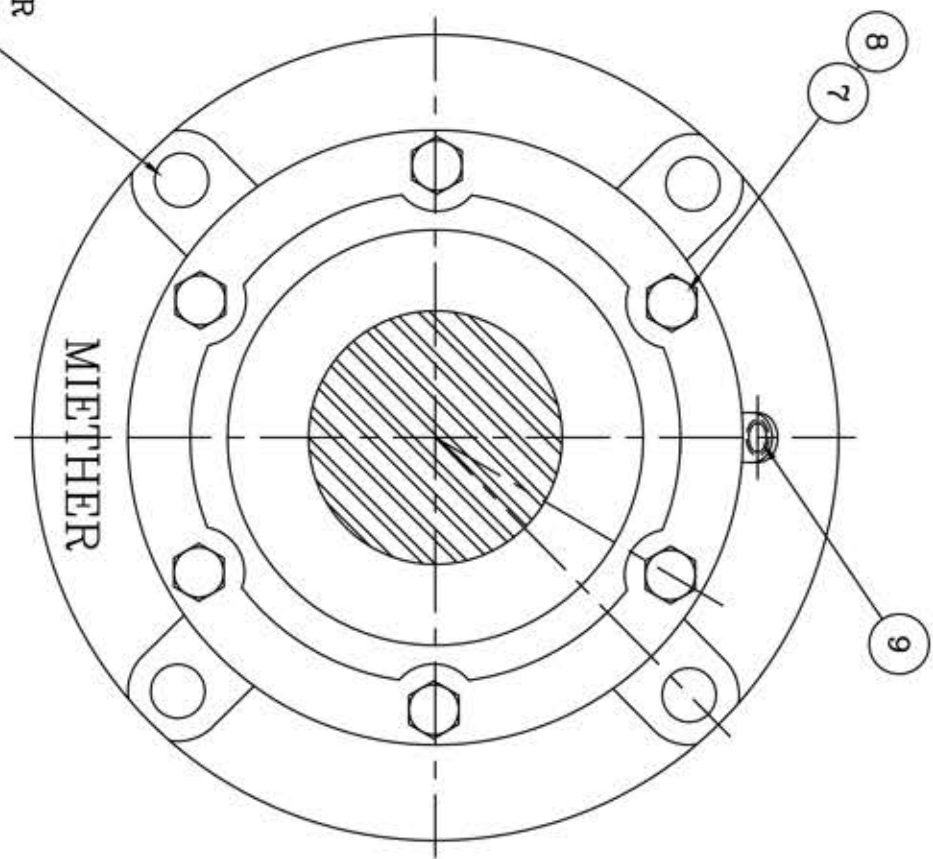


This drawing is the sole property of Miether Bearing Products and contains confidential and proprietary information. It is being provided to you for your use and may not be disclosed to any third party or used for any other purpose without Miether's prior written consent. The [materials] must be returned to the Company upon its demand. Your acceptance of these materials constitutes your acceptance of the foregoing terms.

C-13703



DRILLED 1/8 HOLES FOR
(4) 3/8 BOLTS
ON 10 7/8 B.C.



ITEM	DESCRIPTION	DETAIL	REQUIRED
1	HOUSING HL 220	C-13704	1 1
2	ENDCAP KL 220	C-13705	1 1
3	SPHERICAL ROLLER BEARING	22220/W-33	1 1
4	STABILIZING RING SR-20-17	A-10602	1 0
5	LOCKNUT AN-20	B-10785	1 1
6	LOCKWASHER W-20	~~~~~	1 1
7	CAP BOLT HEX. HEAD	5-13 NC x 1 1/2" LONG	6 6
8	LOCKWASHER	1/2 SPLIT MED.	6 6
9	PIPE PLUG	1/4-18 NPT	1 1

REDRAWN FOR CONFORMITY
AR per KAB
1-30-04

REVISIONS

SYMBOL	DESCRIPTION
✓	16
✓	32
✓	63
✓	125
✓	250
✓	500
✓	1000

TOLERANCE: UNLESS OTHERWISE SPECIFIED
FRACTIONS +- 1/32"
DECIMALS +- .005"
CASTING +- 1/16"
WELD +- 1/16"
ANGLES +- 0°-30°
A.I.S.I. STANDARD FINISHES

AN ALCO INDUSTRIES COMPANY
BEARING PRODUCTS
ODESSA, TX. USA

FCL 22220 04-08 x 03-13	ASSEMBLY DRAWING
SCALE HALF	ASSEMBLY NO.
DRAWN OMI	DRAWING NO.
DATE 7/18/02	C-13703
CHK:	